

# TRIODE ELECTRONICS

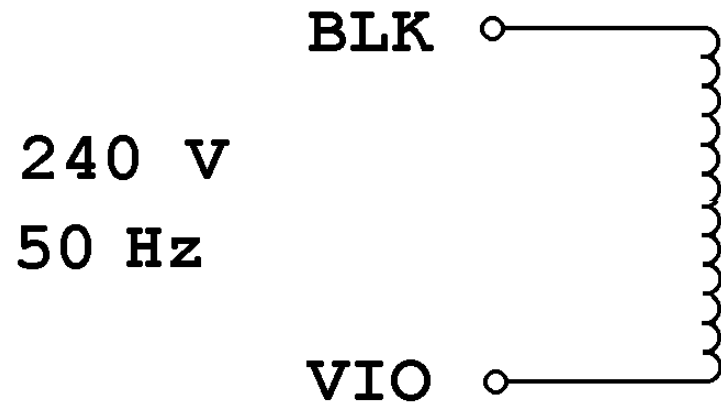
## P-782 EXP

800 V CT  
@ 200 mA

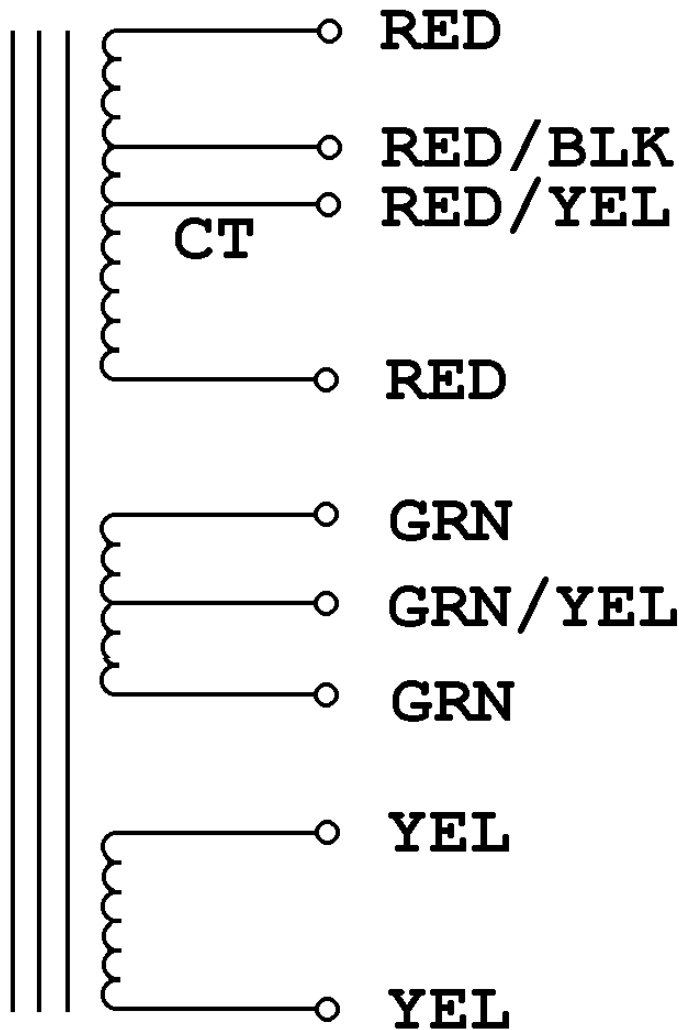
OR

780 V CT  
@ 300 mA

55 V BIAS  
RED/BLK TO  
RED/WHT



240 V  
50 Hz



6.3 V  
@ 5A

5 V  
@ 3A