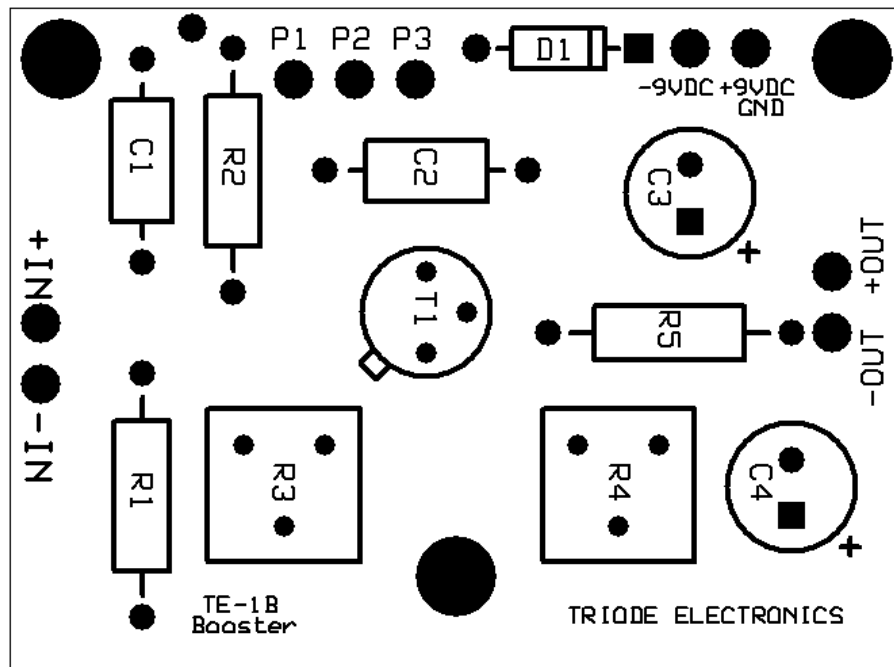


Triode Electronics TE-1B Booster Pedal



- R1 = 2.2M
- R2 = 470k
- R3 = 100k trimmer
- R4 = 5k trimmer
- R5 = 2.2M
- C1 = 0.0047uF (Treble Booster), 0.022uF (Full Boost)
- C2 = 0.01uF
- C3 = 47uF 25V
- C4 = 47uF 25V
- D1 = IN4007
- T1 = OC44 or OC71
- P1 = Left lug of 10k Potentiometer
- P2 = Middle lug of 10k potentiometer
- P3 = Other lug of 10k Potentiometer

Note: This is a PNP pedal, meaning the positive side of the battery is grounded, only use PNP transistors. Make sure the polarity on the two electrolytic caps is correct (+ side to ground).