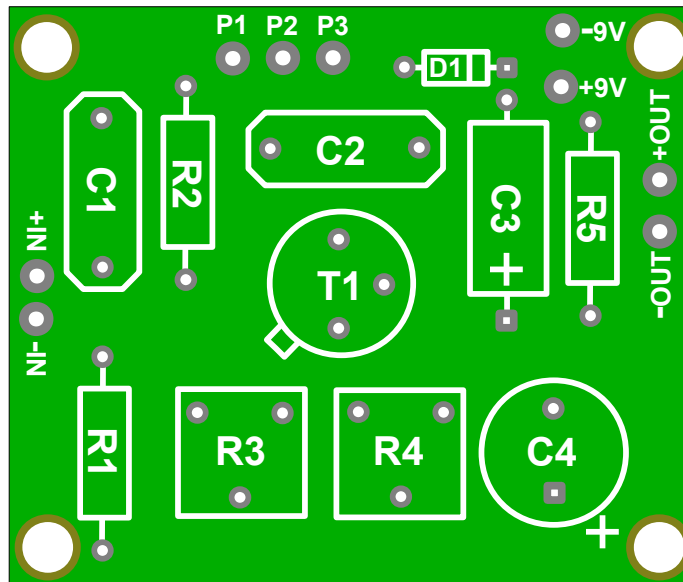


TRIODE ELECTRONICS TE-1B BOOSTER PEDAL



- *R1 = 2.2M
- *R2 = 470K
- *R3 = 100K Trimmer
- *R4 = 10K Trimmer
- *R5 = 2.2M
- *C1 = 0.0047uF (Treble Boost), or
0.022uF (Full Range Boost)
- *C2 = 0.01uF
- *C3 = 47uF 25V (Axial)
- *C4 = 47uF 25V (Radial)
- *D1 = 1N4007 Diode
- *T1 = PNP Transistor
- *P1 = Left Lug of 10K Potentiometer
- *P2 = Middle Lug of 10K Potentiometer
- *P3 = Right Lug of 10K Potentiometer

NOTE: This is a PNP pedal, meaning the positive side of the battery is grounded, only use PNP transistors. Make sure the polarity on the two electrolytic caps is correct.