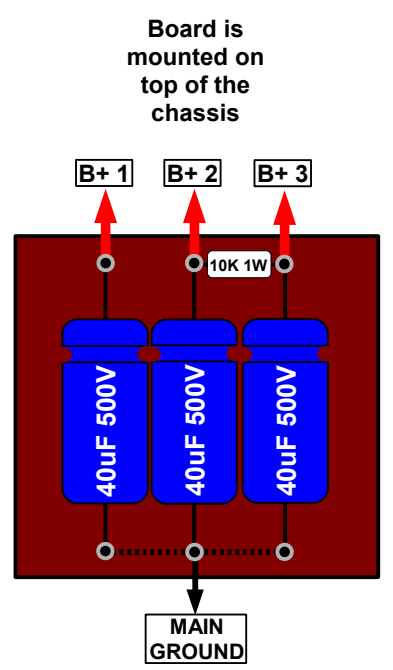
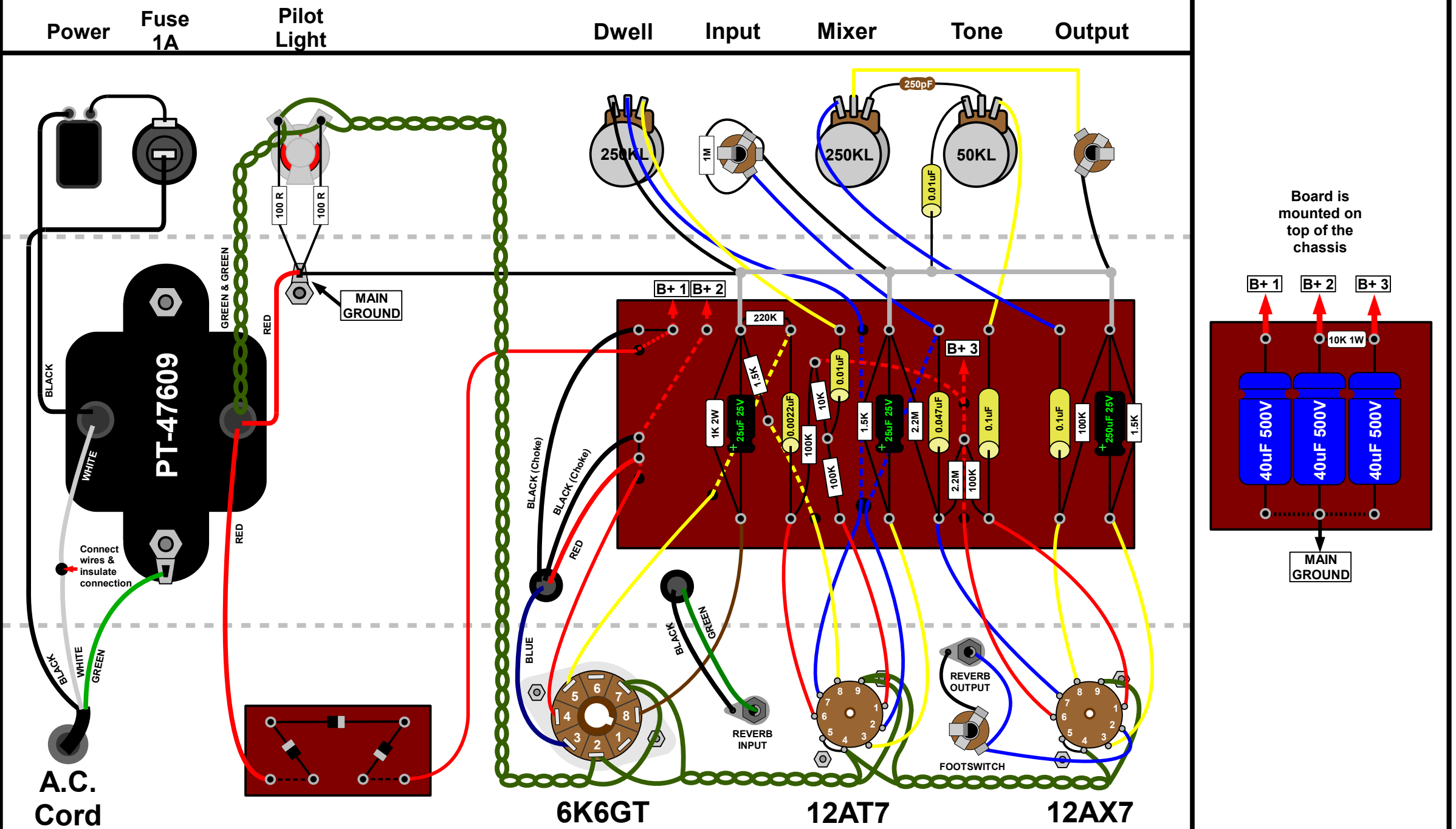


# TRIODE ELECTRONICS 6G15 Tube Reverb Layout

120V Operation w/ PT-47609 Power Transformer



- Notes:**
- \*Twist (Green) Filament Wires together tightly.
  - \*Check Polarity (+ & -) of all Electrolytic Capacitors.
  - \*All Resistors are 1/2W unless noted.
  - \*Power Transformer: PT-47609
  - \*Driver Transformer: OT-47605
  - \*Choke: 40-18040
- \*For Technical Questions or Comments, Email us at: [tech@triodestore.com](mailto:tech@triodestore.com)

