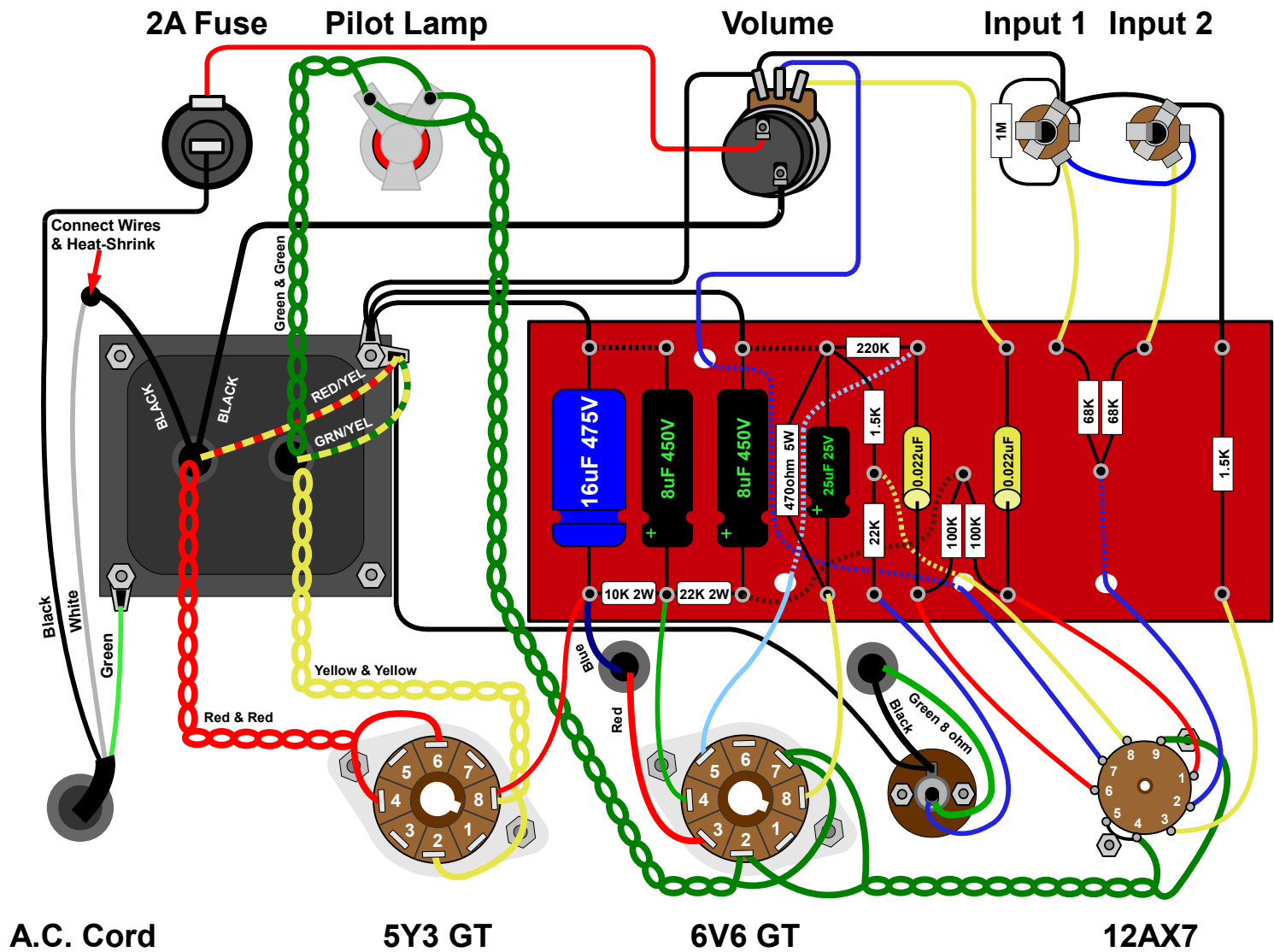


TRIODE ELECTRONICS 5F1 TWEED CHAMP LAYOUT

120V Operation w/ 40-18019 Power Transformer & 40-18031 15W OT



Notes:

- *Twist filament wires together tightly.
- *Check Polarity (+ & -) of all Electrolytic Capacitors.
- *Brown Wire from Output Transformer is Not Used. This should be tied off and insulated.
- *Yellow Wire from Output Transformer is a 4 ohm tap, if you don't wish to use, tie off and insulate.
- *All Resistors are 1/2W Unless Noted Otherwise.
- *Power Transformer: 40-18019
- *Output Transformer: 40-18031 15W

For Technical Questions or Comments, Email us at: questions@triodestore.com

