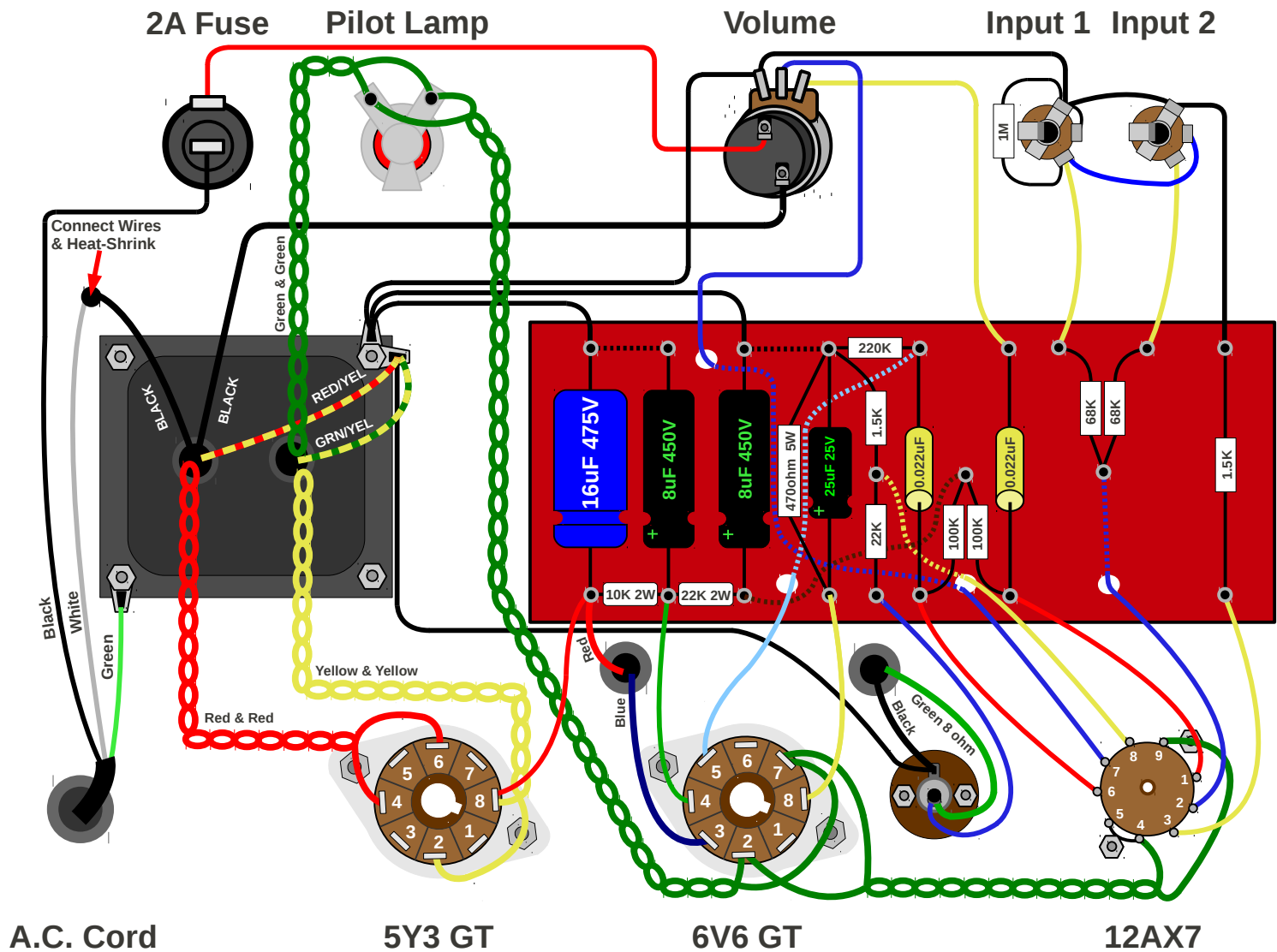


# TRIODE ELECTRONICS 5F1 TWEED CHAMP LAYOUT

120V Operation w/ 40-18019 Power Transformer



## Notes:

- \*Twist filament wires together tightly.
- \*Check Polarity (+ & -) of all Electrolytic Capacitors.
- \*Brown Wire from Output Transformer is Not Used. This should be tied off and insulated.
- \*Yellow Wire from Output Transformer is a 4 ohm tap, if you don't wish to use, tie off and insulate.
- \*All Resistors are 1/2W Unless Noted Otherwise.
- \*Power Transformer: 40-18019
- \*Output Transformer: 40-18030

For Technical Questions or Comments, Email us at: [questions@triodestore.com](mailto:questions@triodestore.com)

