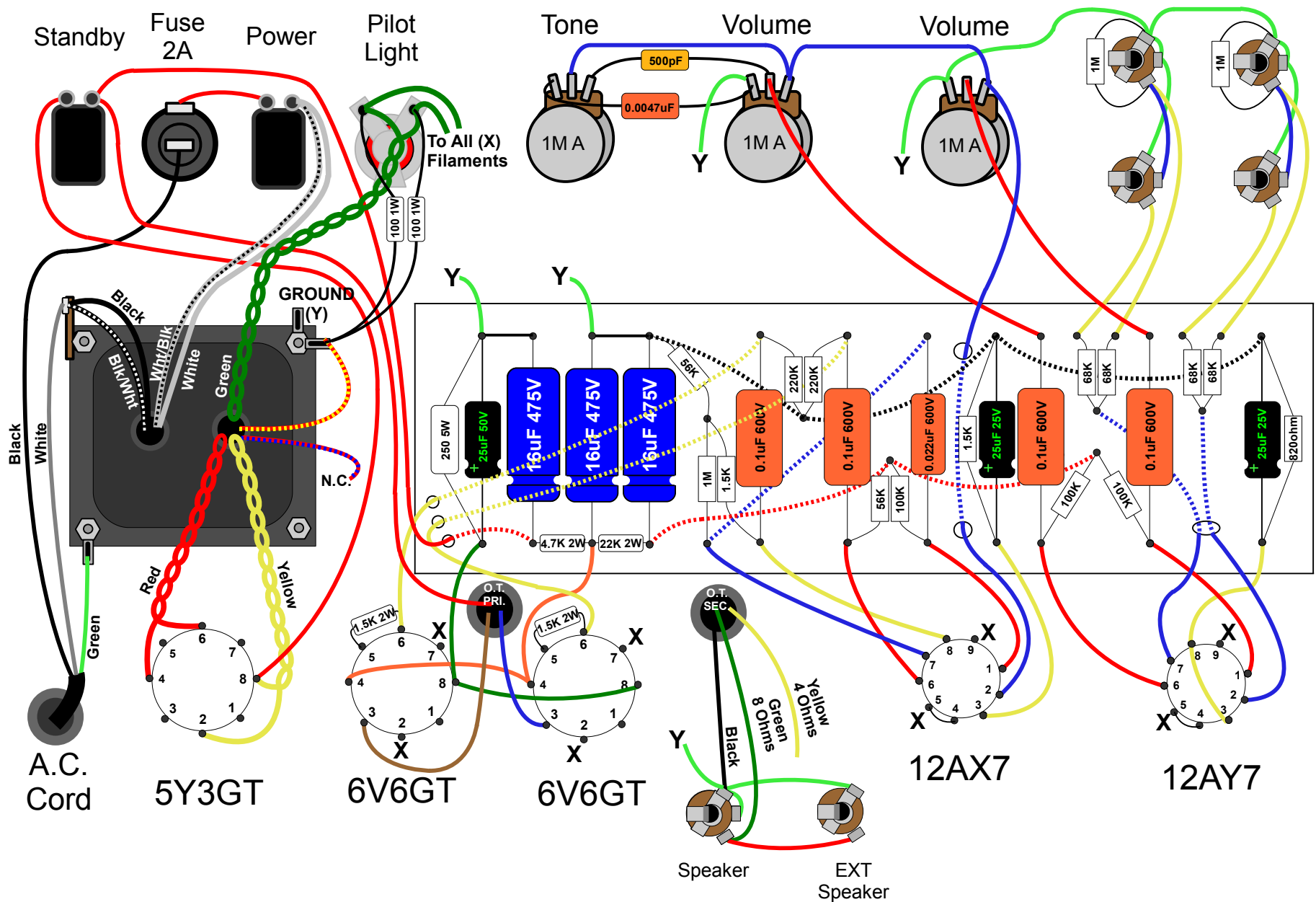


TRIODE ELECTRONICS 5E3 TWEED DELUXE LAYOUT

120V Operation w/ 40-18017 Power Transformer



Notes:

- *Twist filament wires together tightly
- *Brown/White & Blue/White wires from OT are screen taps used for UL operation. These wires are not connected in this amplifier.
- *Red/Blue Wire from PT is a 50V Bias Tap, this wire is not connected in this amplifier
- *Check Polarity (+ & -) of all Electrolytic Capacitors.
- *All Resistors are 1/2W Unless Noted

For Technical Questions or Comments, Email us at: questions@triodestore.com

