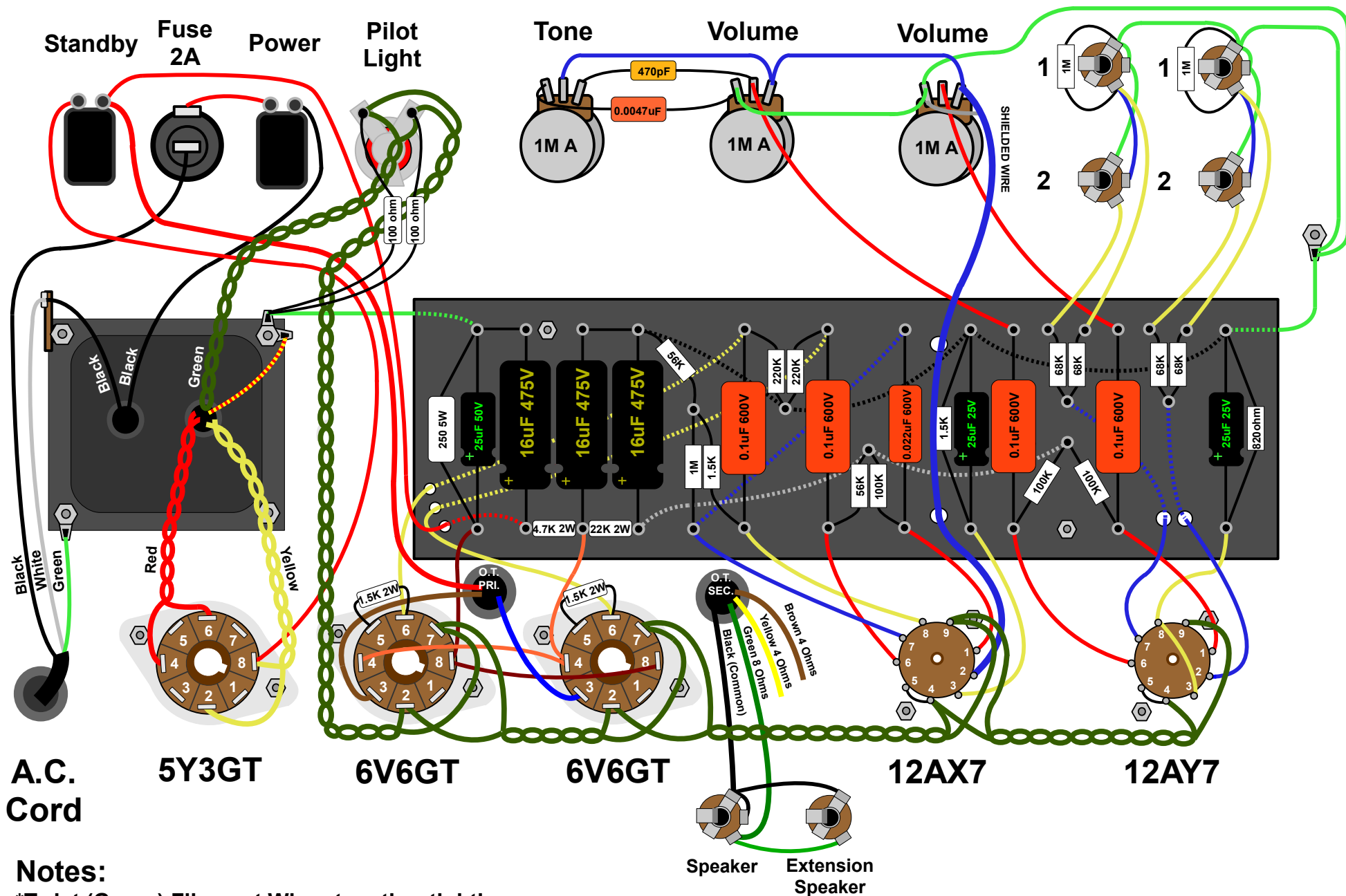


# TRIODE ELECTRONICS 5E3 TWEED DELUXE LAYOUT

120V Operation w/ 40-18016 Power Transformer



A.C. Cord

5Y3GT

6V6GT

6V6GT

12AX7

12AY7

## Notes:

- \*Twist (Green) Filament Wires together tightly.
  - \*Shielded wire is only grounded at one end.
  - \*Check Polarity (+ & -) of all Electrolytic Capacitors.
  - \*All Resistors are 1/2W unless noted.
  - \*Power Transformer: 40-18016
  - \*Output Transformer: 041318-EXT
  - \*4-40 (Small) Nuts & Bolts are used for: Tube Sockets & Board Mounting.
  - \*6-32 (Medium) Nuts & Bolts are used for: Output Transformer Mounting.
  - \*8-32 (Large) Nuts are used for: Power Transformer Mounting.
- \*For Technical Questions or Comments, Email us at: [tech@triodestore.com](mailto:tech@triodestore.com)

