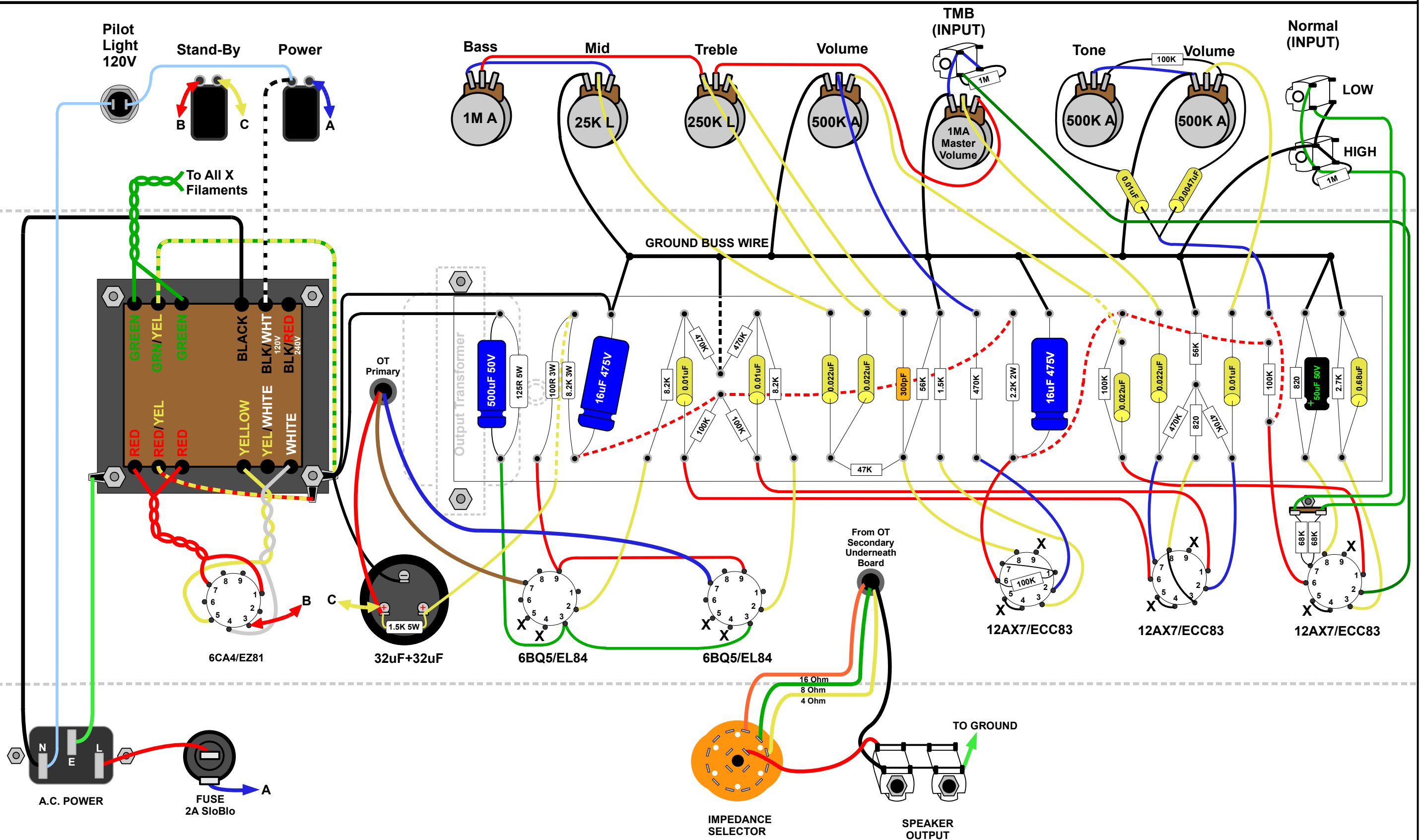


TRIODE ELECTRONICS 18W "TMB" LAYOUT



- NOTES:**
- *Twist all Filament Wires Together Tightly
 - *Check Polarity (+ & -) of all Electrolytic Capacitors.
 - *All Resistors are 1/2W Unless Noted
- TRANSFORMERS:**
- *Power: 40-18035
 - *Output: 40-18037

For Technical Questions or Comments, Email us at: questions@triodestore.com

